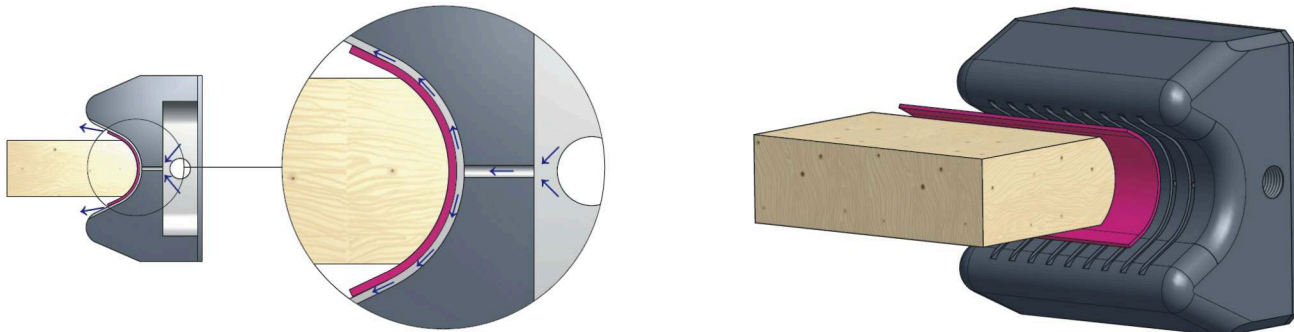


Ventilated sanding blocks

- purpose - sanding inside and outside of profiled elements made from solid wood, wooden derivative boards, artificial materials and sanding lacquer coatings
- application - grinding and formatting and grinding machines which work with unlimited sanding belt



Technology of ventilated sanding blocks is based on creating an air bag between a sanding block and a sanding belt, which is responsible for:

- cooling the sanding block during work, which causes reduction of sanding belt temperature and as a result reduce susceptibility of sanding material for clogging by sending dust
- makes it easier to move the sanding belt through the sanding block by reducing friction of each other, which reduces the quantity of electrostatic loads causing gluing of sanding dust to the sanding belt
- reduction of consumption of sanding block to keep his shape for a long working time

Construction of the sanding blocks we offer guarantees:

- perfect reflection of profile – thanks to production on CNC machines
- excellent and repeatable quality of sanded surface
- easy setting of sanding units
- saving of the sanding materials
- saving of working time and helpful materials
- long working live of the sanding blocks, thanks to suitable choice and the treatment of constructional material



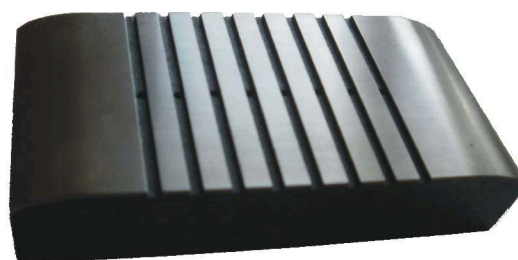
PolishStyl

Professional Sanding Technology

Perfect reflection of shape



Perfect quality of surface



Repeatable and easy sanding treatment



Saving of sanding materials



Saving of work time and supportive materials



PolishStyl company was founded in January 2008.

We offer technical service in range of sanding surface of wood, lacquer coatings, metal, glass, artificial materials and other surfaces.

PolishStyl is a well known producer of sanding heads. We are able to transform sanding papers and cloths. We can produce and provide any sanding tool.

PolishStyl

ul. Dzieci Warszawy 27B/4
02-495 Warszawa
tel/fax : +48 22 / 40-727-40

polishstyl@polishstyl.com.pl
www.polishstyl.com.pl